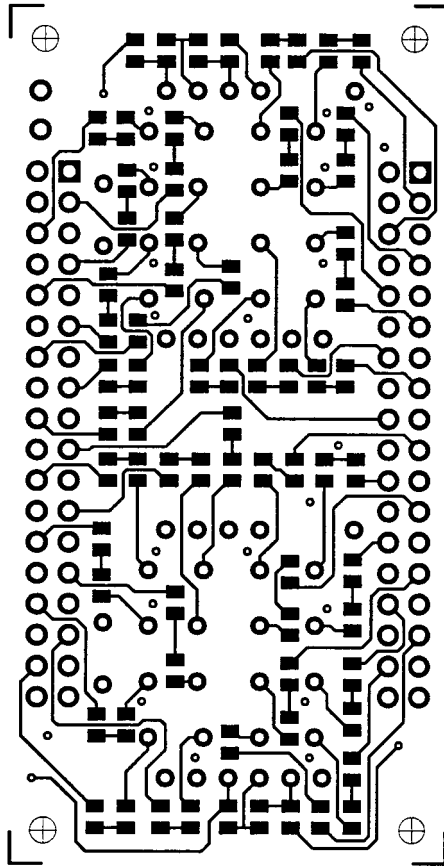
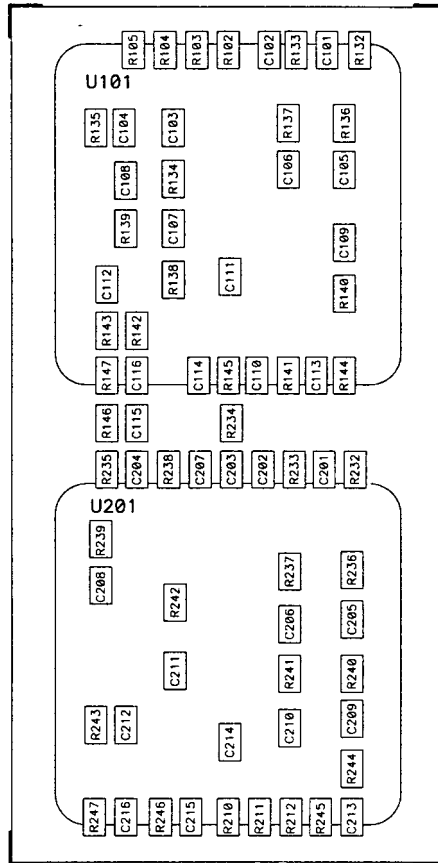


Layout of a base-board for two M16 PMTs (MSC Jan 30, 97)

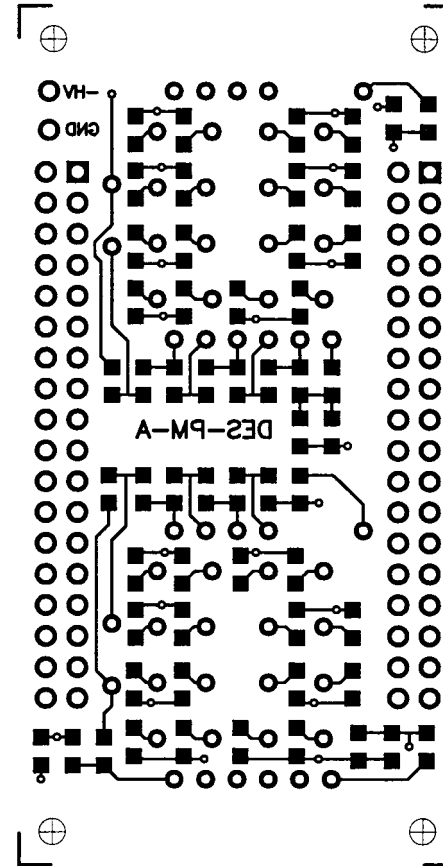
PMT-side traces



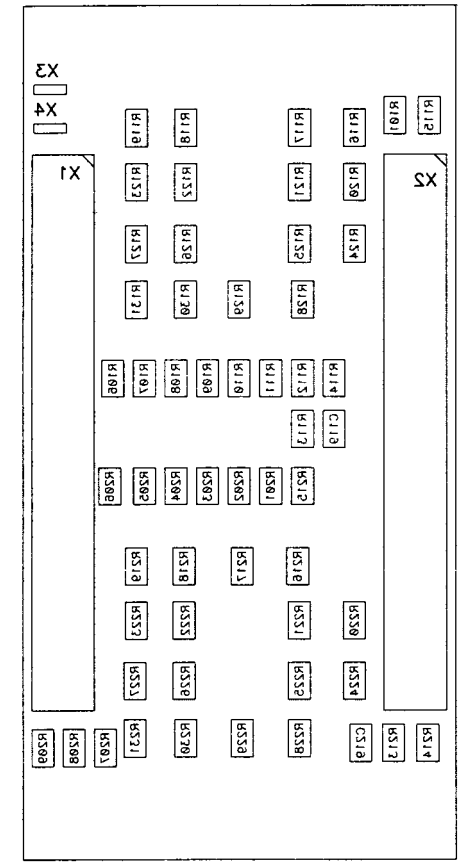
PMT-side components



ASD8 side traces



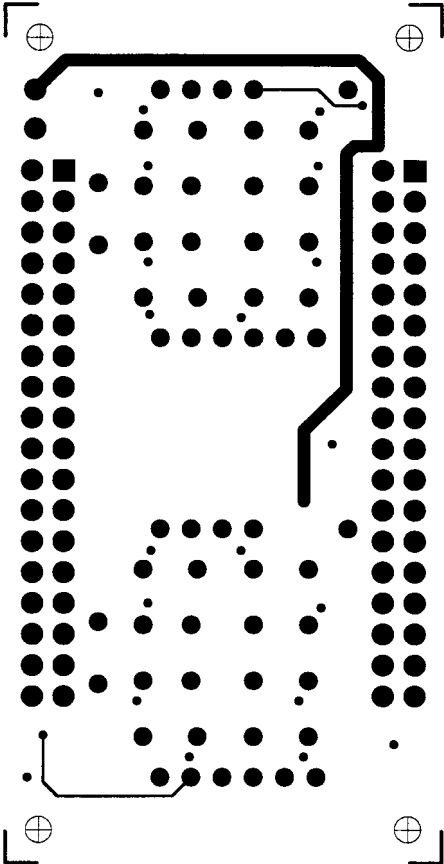
ASD8 side components



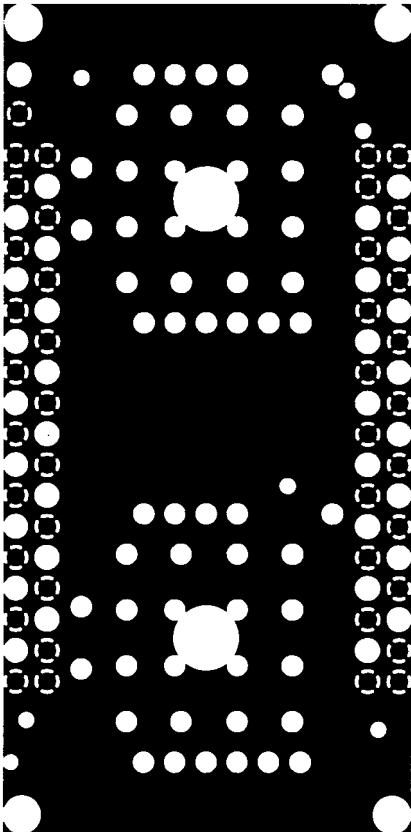
The boards have been designed by MSC, they have four layers : two outer ones shown here plus two inner ones for HV and ground (shown next page).

Layout of a base-board for two M16 PMTs (MSC Jan 30, 97)

Inner traces HV



Inner traces ground



Board dimensions

