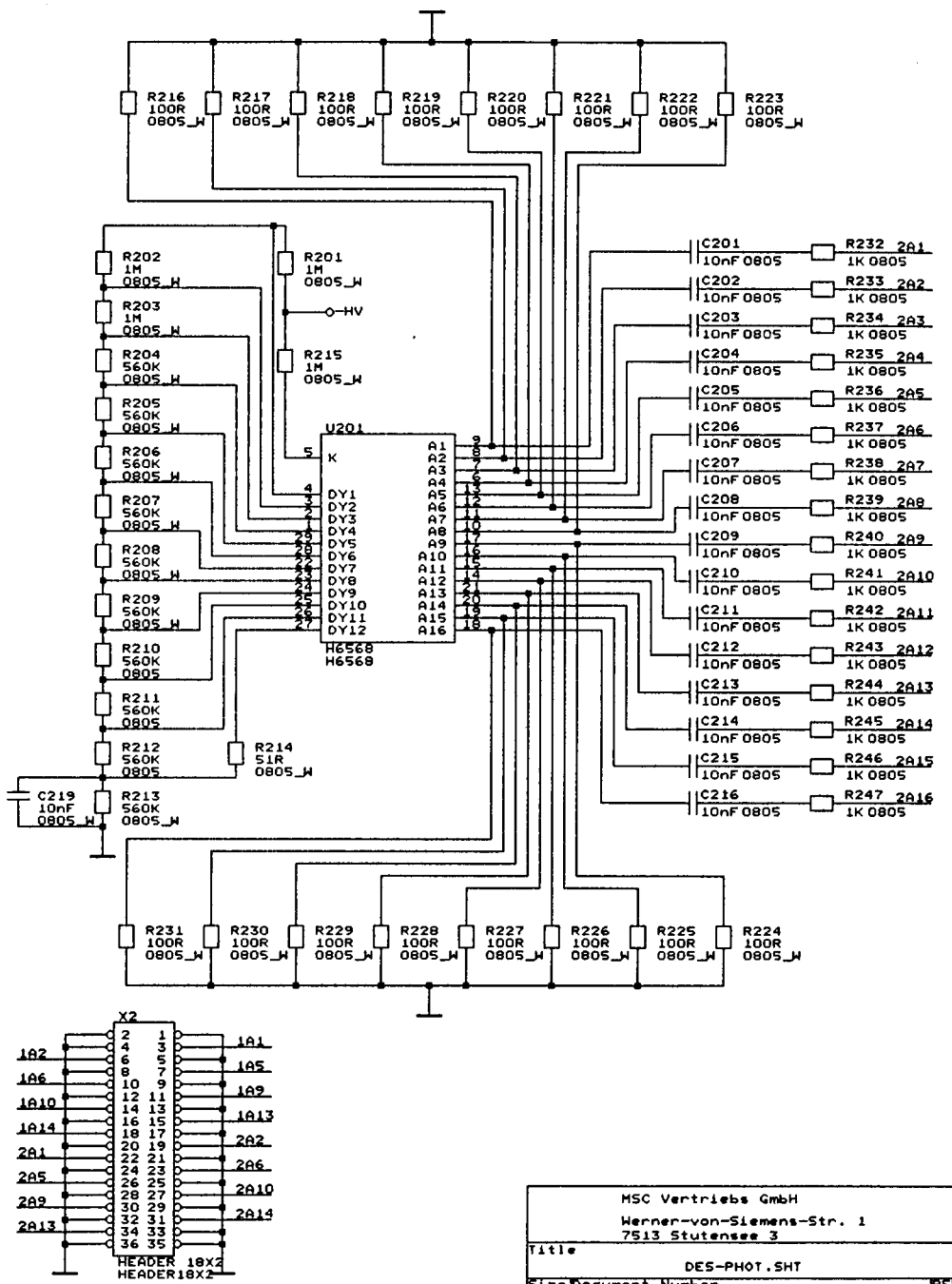
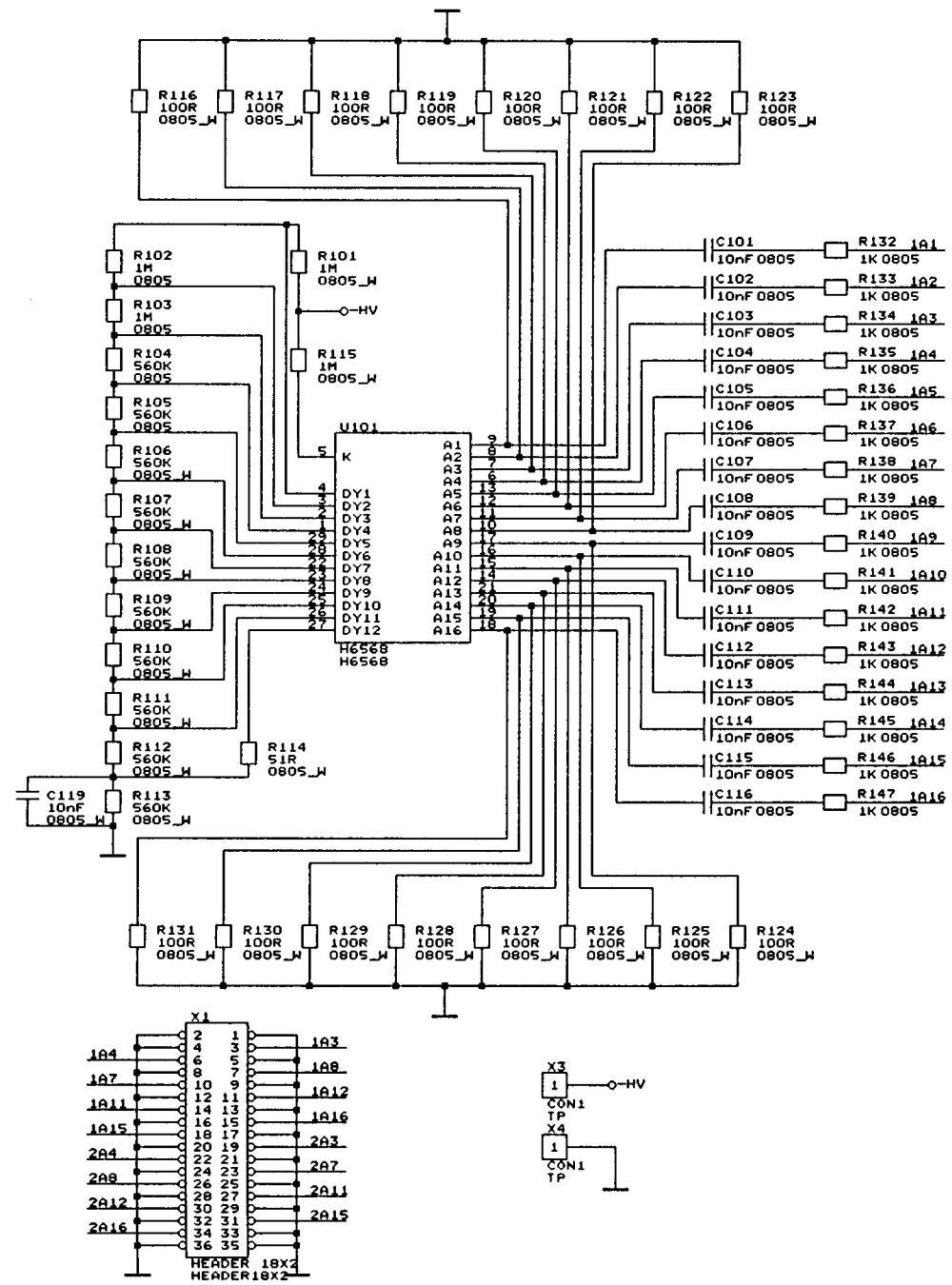


# Base-board Circuit for two M16 PMTs (MSC Jan 30, 97)



MSC Vertriebs GmbH  
 Werner-von-Siemens-Str. 1  
 7513 Stutensee 3

Title  
 DES-PHOT.SHT

Size Document Number RE